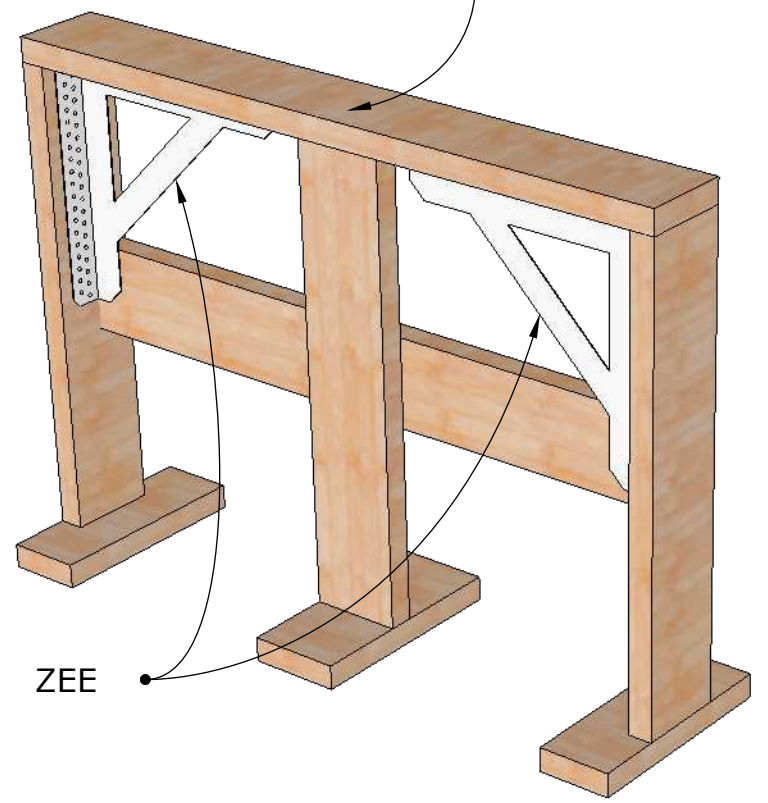


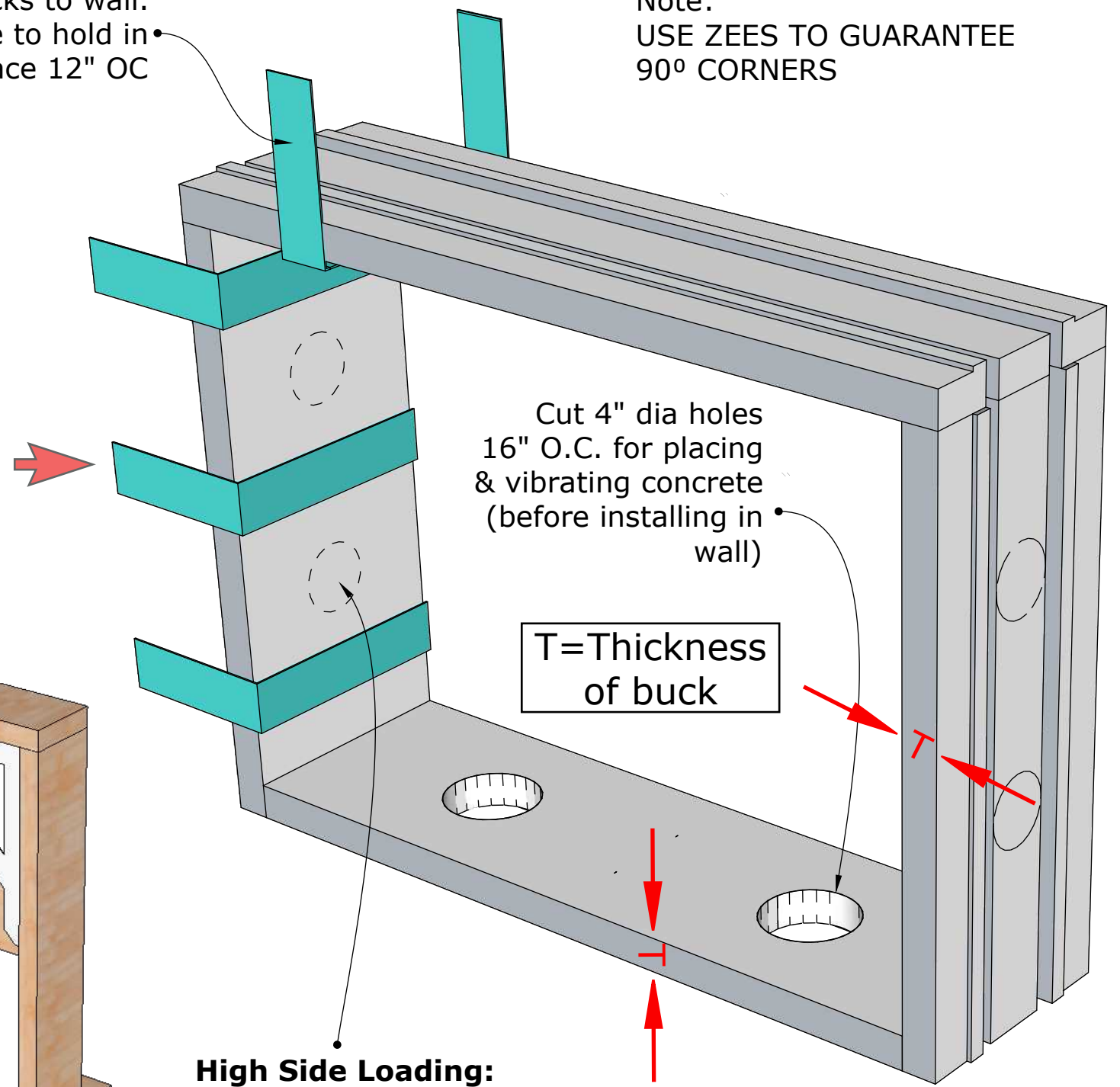
Foam glue bucks to wall.
Use tape to hold in place 12" OC

Note:
USE ZEES TO GUARANTEE 90° CORNERS

Use dimensional lumber to support hydraulic loads
6" wall - 2x4
8" wall - 2x6



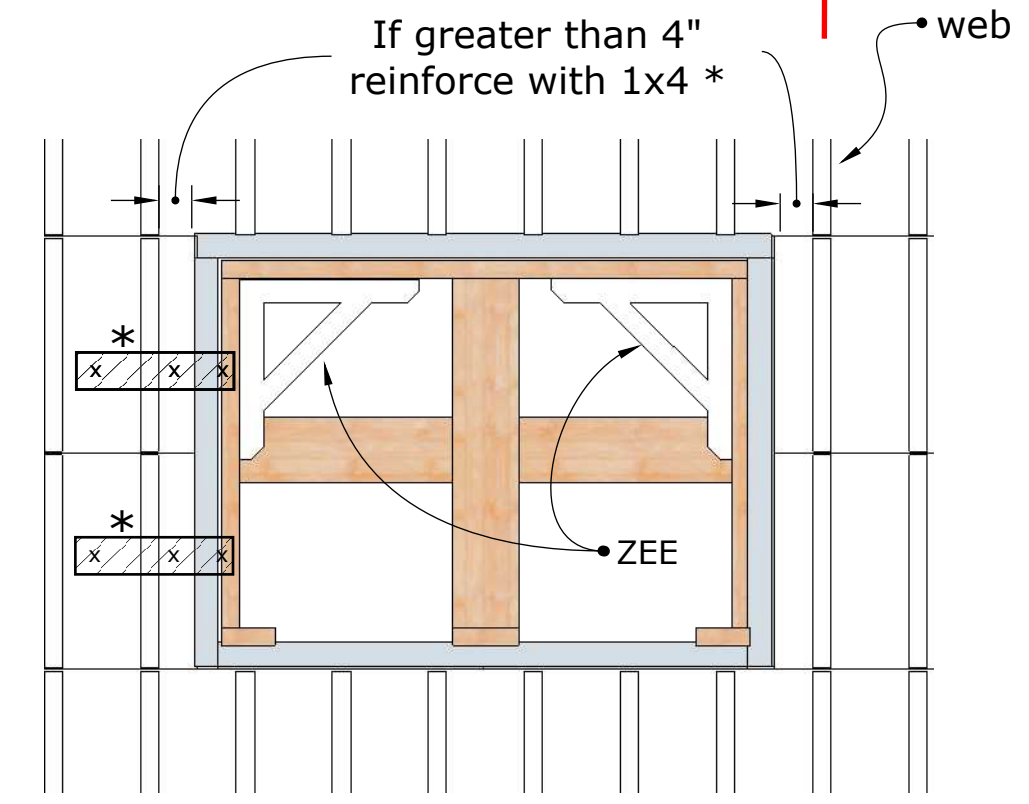
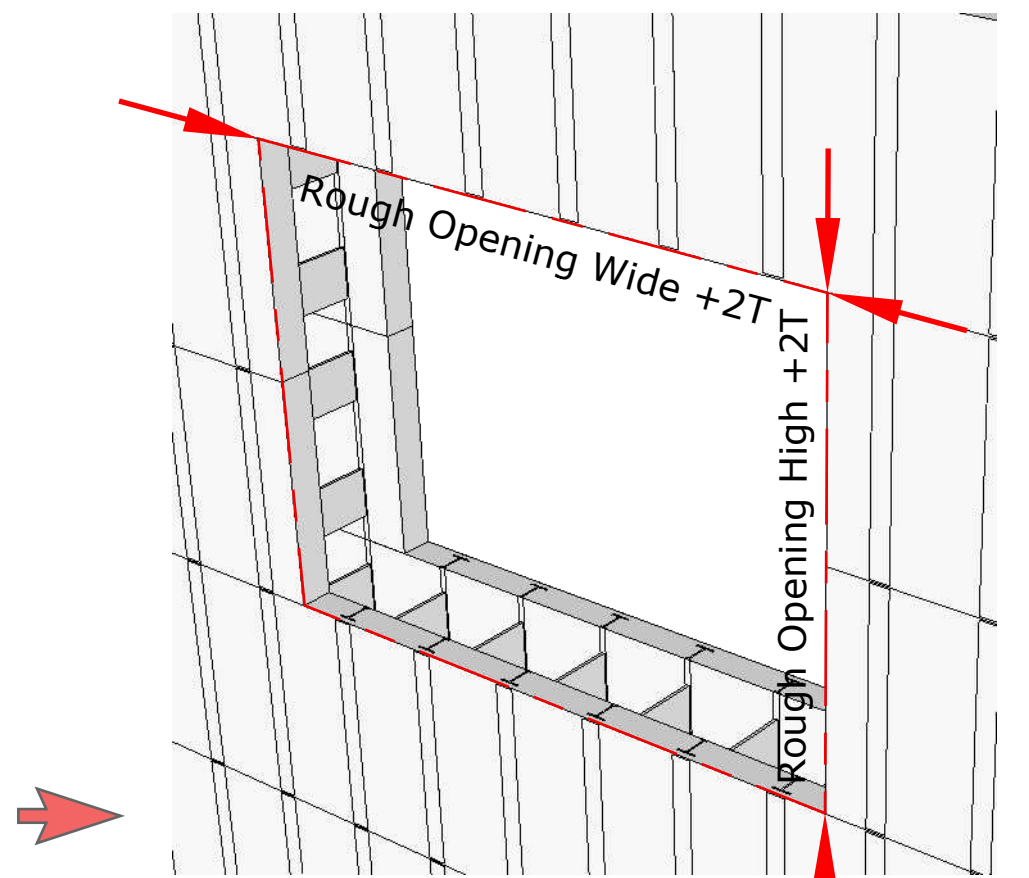
ZEE



Cut 4" dia holes 16" O.C. for placing & vibrating concrete (before installing in wall)

T = Thickness of buck

High Side Loading:
Cut out 4" dia holes in vertical bucks to ensure secure concrete bearing is provided.



PROPRIETARY AND CONFIDENTIAL
THE INFORMATION CONTAINED IN THIS DRAWING IS THE SOLE PROPERTY OF FAB-FORM INDUSTRIES LTD. ANY REPRODUCTION IN PART OR AS A WHOLE WITHOUT THE WRITTEN PERMISSION OF FAB-FORM INDUSTRIES IS PROHIBITED

FAB-FORM INDUSTRIES LTD
www.fab-form.com (888)303-3278

DRAWN: SFRG	CHECKED: RF	APPROVED: JF
DO NOT SCALE DRAWING	WEIGHT:	September 29, 2022

TITLE:
Use of Zees in bucked openings

DRG NO: General Layout	REV:
---------------------------	------